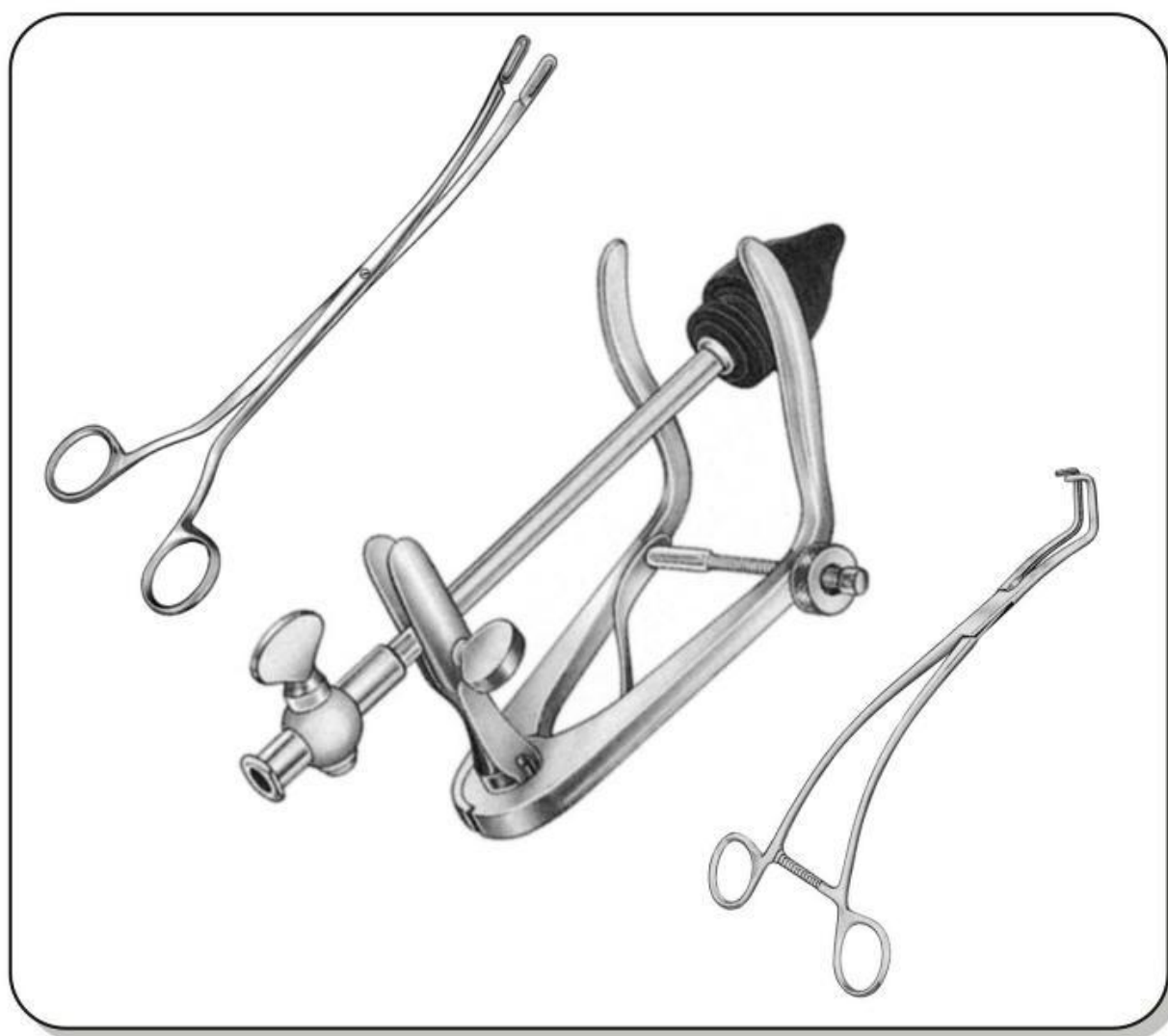


# SECTION - 15

## UROLOGY



# UROLOGY



**COLLIN**  
15-001-265  
26.5 cm



**DARTIGUES**  
15-002-270  
27 cm



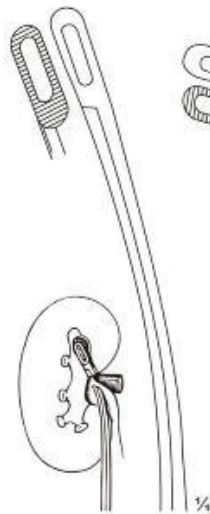
**COLLIN**  
15-003-285  
28.5 cm



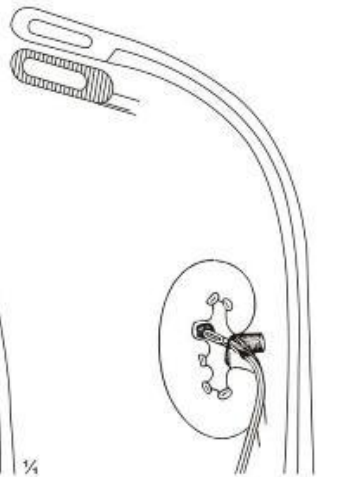
**HULKA-KENWICK**  
Uterine Elevating &  
Manipulating Forceps  
15-004-273  
27.3 cm



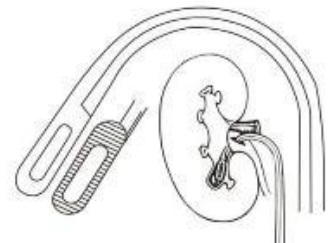
**RANDALL**



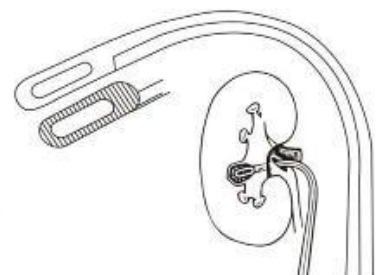
15-005-230  
23 cm



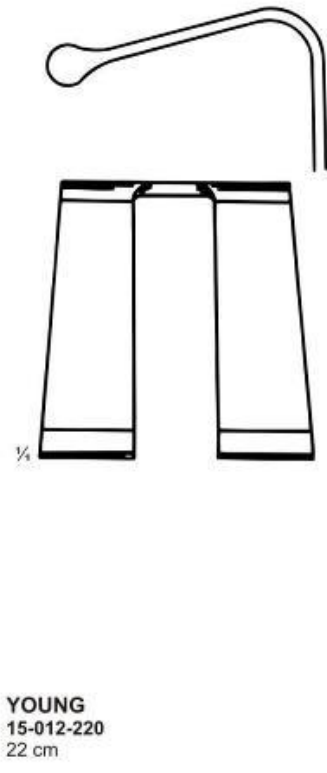
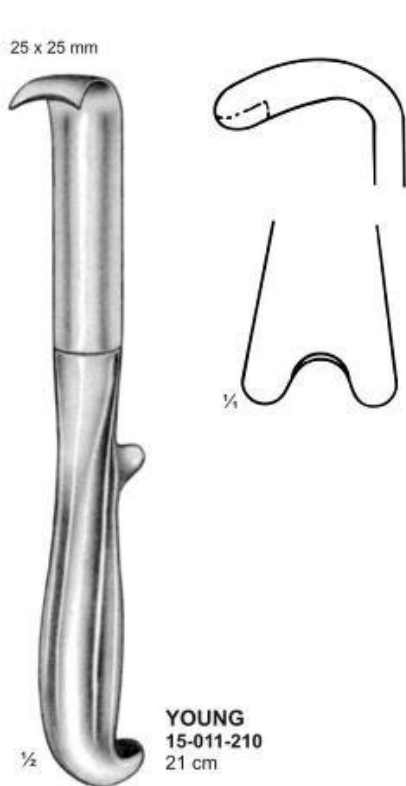
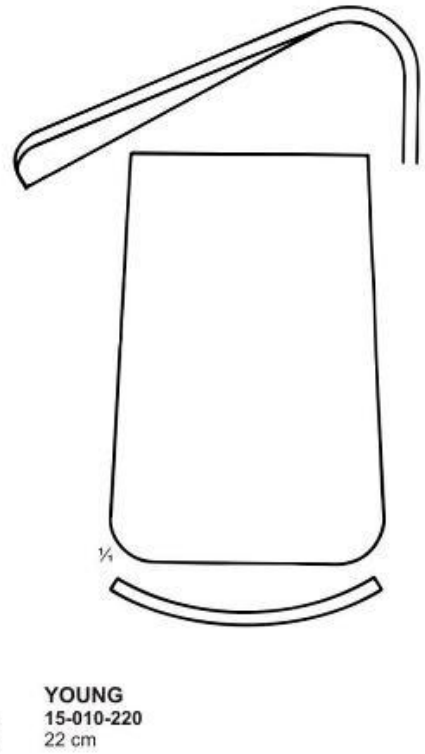
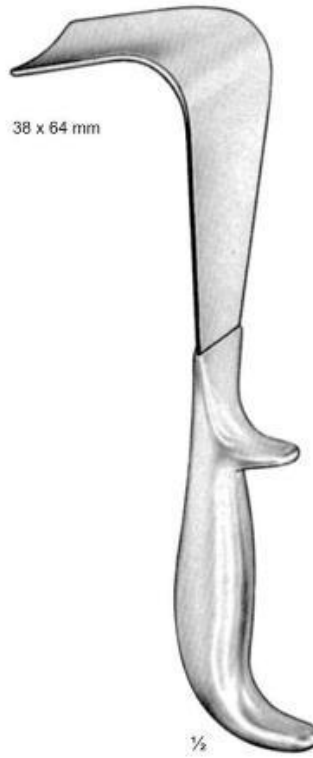
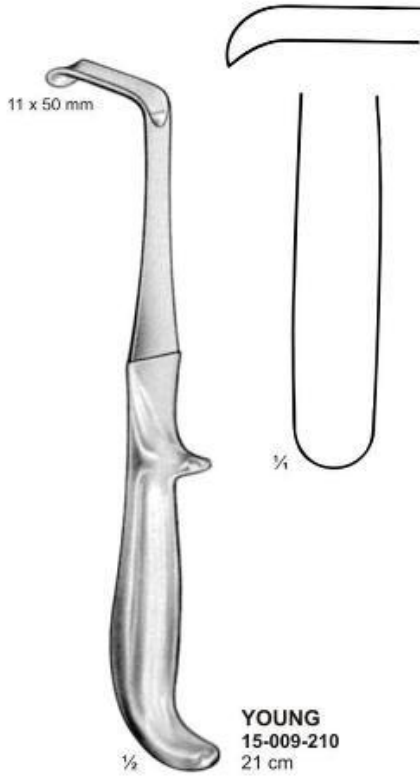
15-006-230  
23 cm

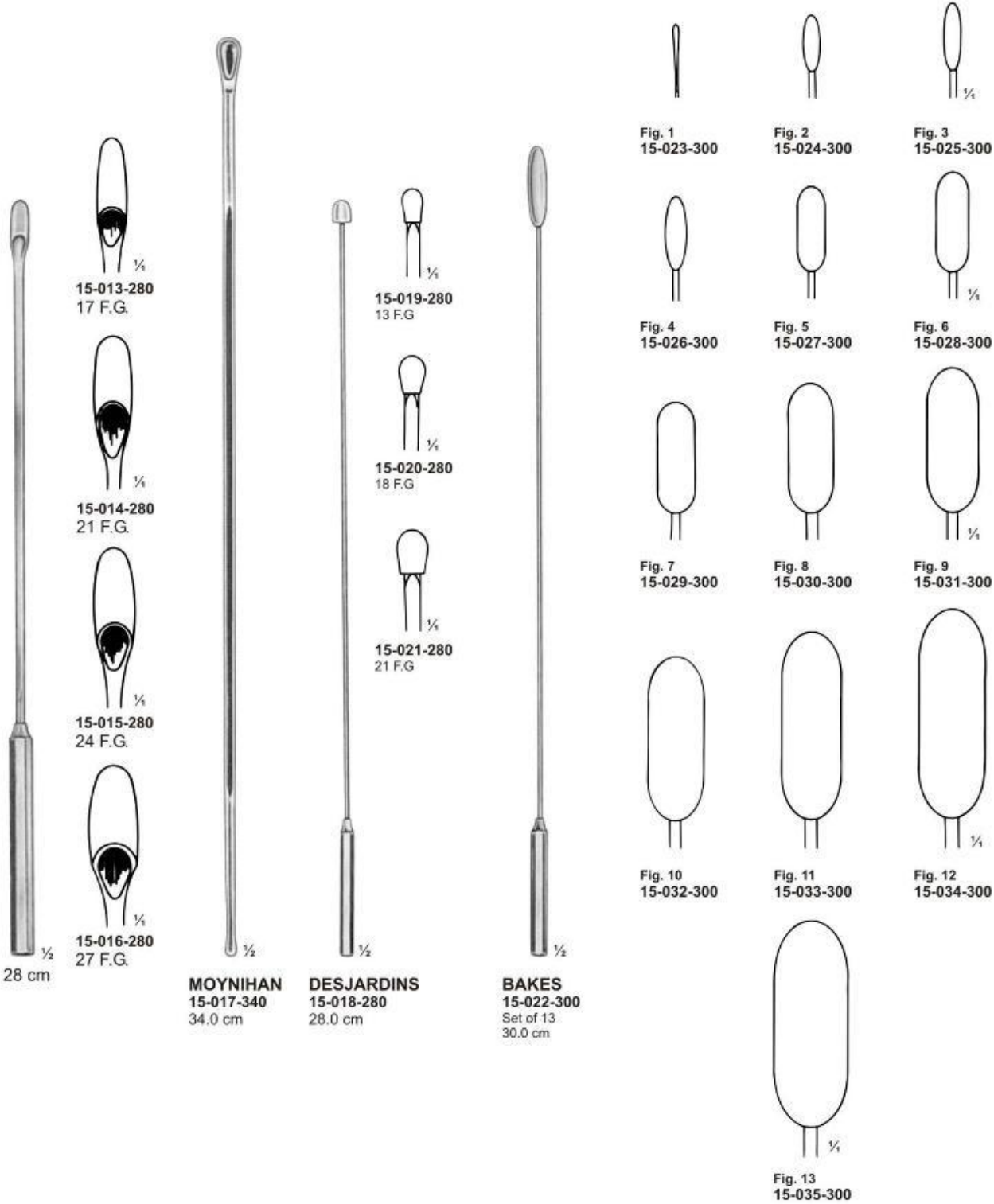


15-007-230  
23 cm



15-008-230  
23 cm







**CATHETER**  
15-036-265  
26.5 cm  
14 Fr



**CATHETERS**  
15-037-290 29 cm  
Male Catheters, metal

	French
15-038-01	8
15-039-02	10
15-040-03	12
15-041-04	14
15-042-05	16
15-043-06	18
15-044-07	20



**LISTER BOUGIES**  
15-045-270  
27 cm  
00 / 1 to 15 / 18  
set of 17



**CLUTTON BOUGIES**  
15-046-270  
27 cm  
06 / 10 to 28 / 32  
set of 12



**VAN BUREN**  
A TO O  
Set of 15

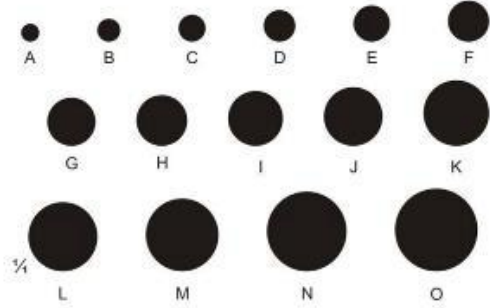
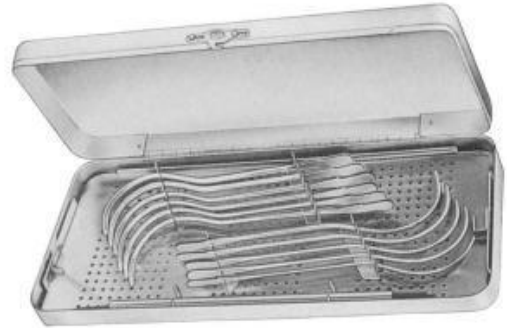


Fig.	Item	Description	Dia.
A	15-047-280	28 cm	8 French
B	15-048-280	28 cm	10 French
C	15-049-280	28 cm	12 French
D	15-050-280	28 cm	14 French
E	15-051-280	28 cm	16 French
F	15-052-280	28 cm	18 French
G	15-053-280	28 cm	20 French
H	15-054-280	28 cm	22 French
I	15-055-280	28 cm	24 French
J	15-056-280	28 cm	26 French
K	15-057-280	28 cm	28 French
L	15-058-280	28 cm	30 French
M	15-059-280	28 cm	32 French
N	15-060-280	28 cm	34 French
O	15-061-280	28 cm	36 French



**GUYON**  
15-062-270  
27 cm

Without thread



**GUYON**  
15-063-00  
420 x 175 x 40 mm  
Set in metal case containing:  
— 21 Bougies Guyon  
— 6 filiform Bougies



**THOMSON-WALKER'S  
PENILE CLAMPS**  
15-064-00  
Cross-Action model.



**MILLIN'S SUCTION TUBE**  
15-065-00  
chromium-plated,  
with sliding "on & off"  
action.



**YOUNG-HRYNTSCHAK**  
15-066-200  
24 cm  
with 1 needle



**YOUNG-MILLN**  
15-067-200  
20 cm  
with 1 needle



15-068-200  
Spare needle

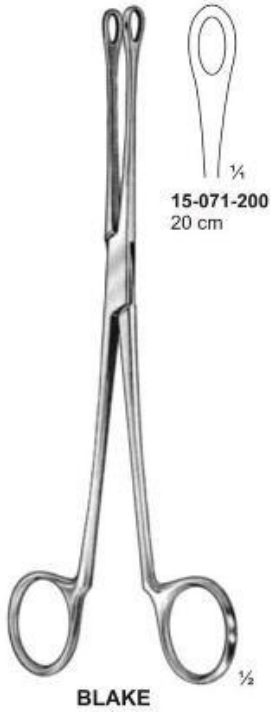


15-069-200  
Spare needle



15-070-200  
Spare needle

**UROLOGY**





15-080-241  
24.1 cm

HARRIS  
Angled Suture



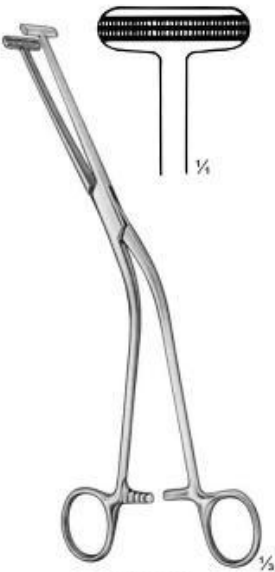
15-081-292  
29.2 cm

JOHNSON PROSTATIC  
NEEDLE HOLDER



15-082-230  
23 cm

STRATTE NEEDLE HOLDER



MILLIN  
15-083-240  
24 cm



MILLIN  
15-084-230  
23 cm

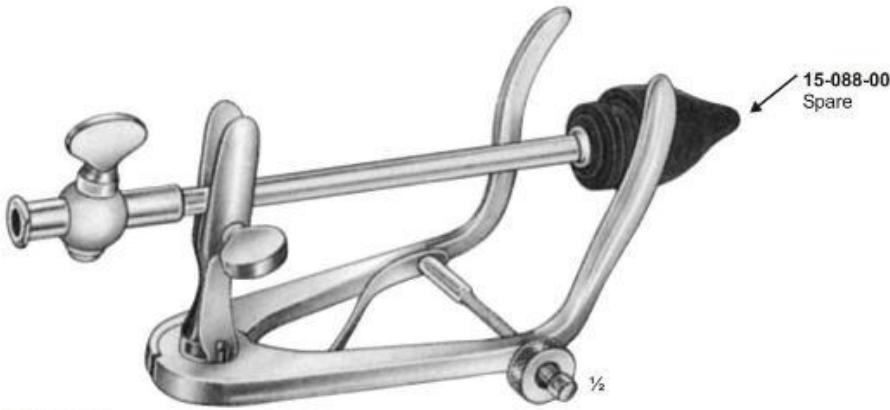


MILLIN  
15-085-230  
23 cm



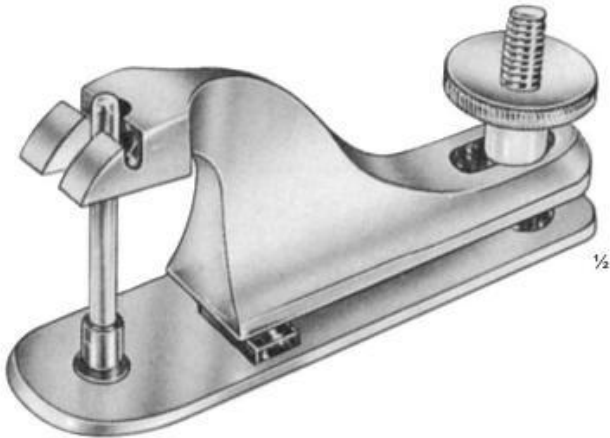
MILLIN  
15-086-230  
23 cm



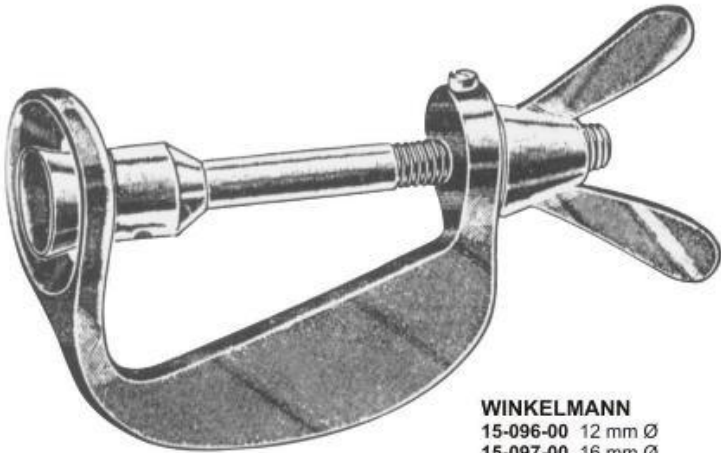


**KNUTSON**  
15-087-180  
18 cm  
Urethrographie-Instruments

15-088-00  
Spare



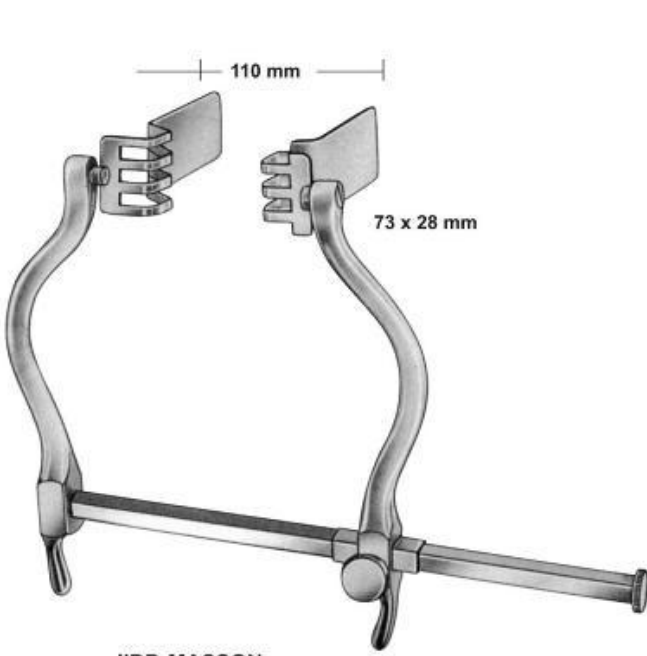
- |      |           |
|------|-----------|
| mm ø |           |
| 8    | 15-089-00 |
| 11   | 15-090-00 |
| 13   | 15-091-00 |
| 16   | 15-092-00 |
| 21   | 15-093-00 |
| 26   | 15-094-00 |
| 32   | 15-095-00 |



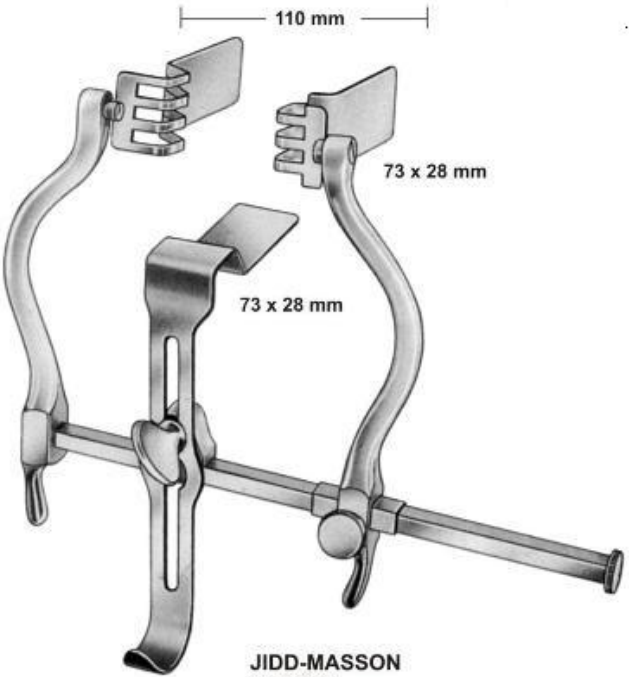
**WINKELMANN**  
15-096-00 12 mm Ø  
15-097-00 16 mm Ø  
15-098-00 20 mm Ø  
Circumcision clamps



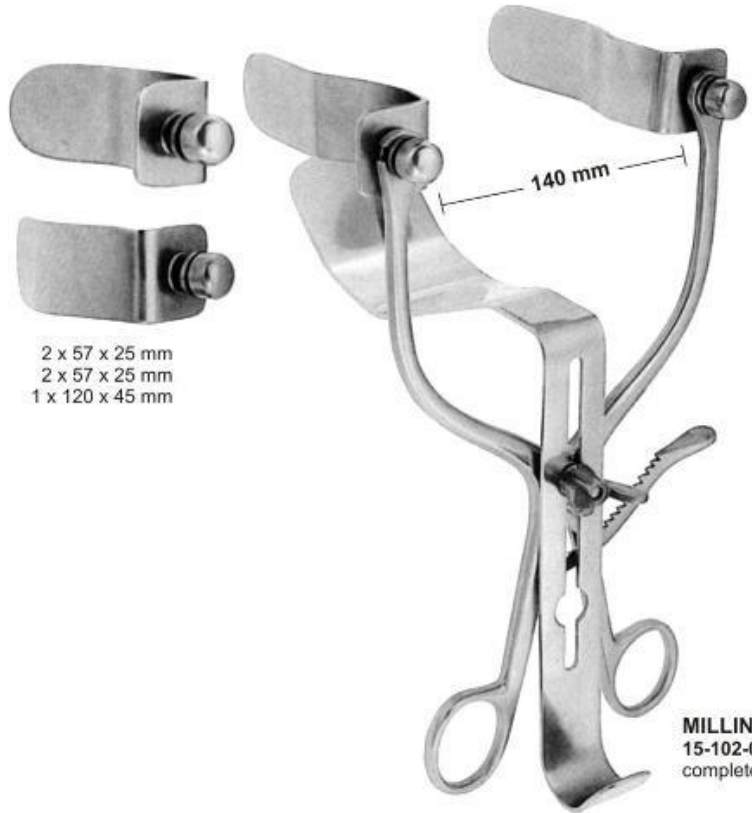
**MILLIN**  
15-099-280  
28 cm



JIDD-MASSON  
15-100-00



JIDD-MASSON  
15-101-00



MILLIN  
15-102-00  
complete



LEGUEU  
15-103-170  
17 cm