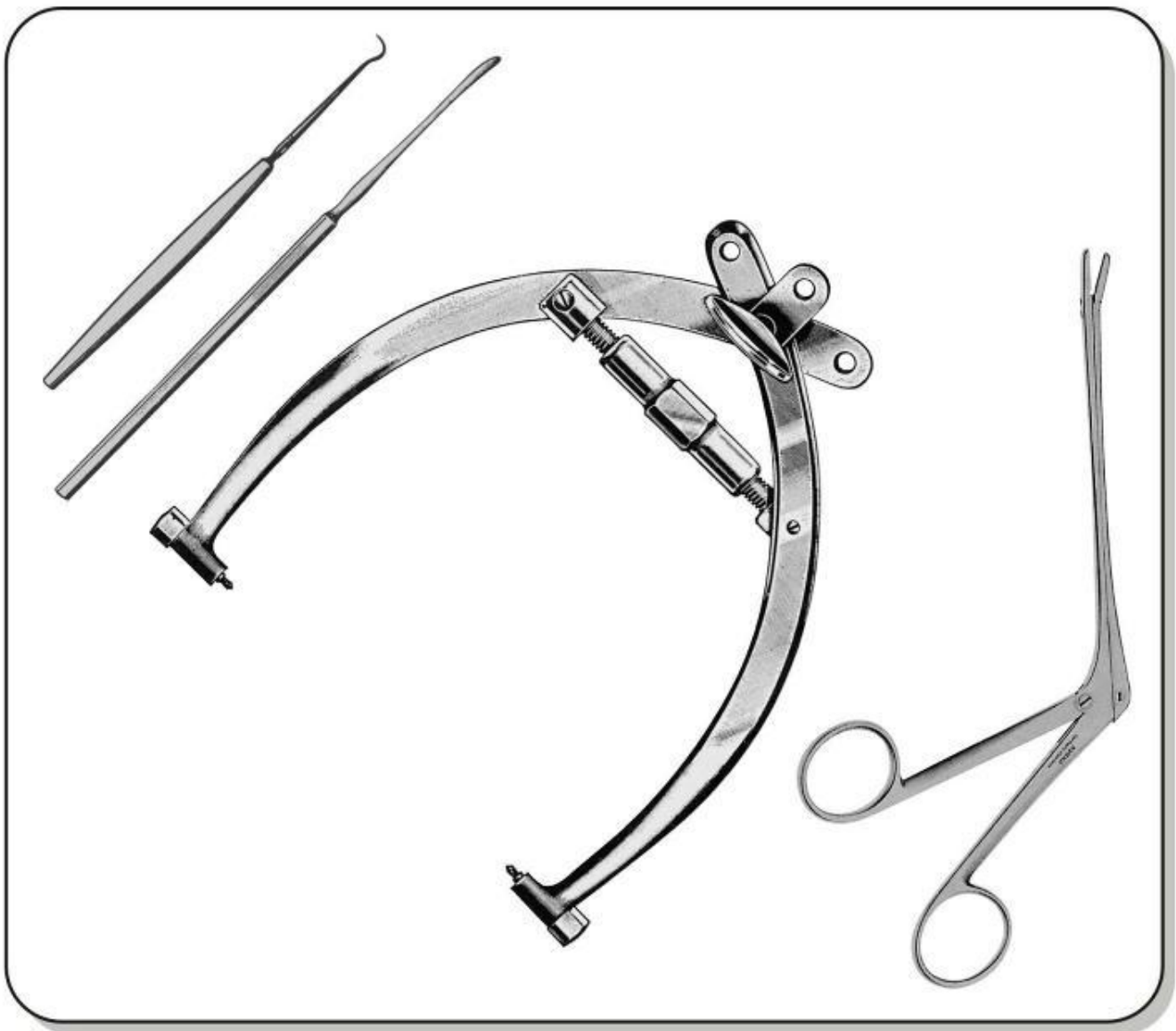
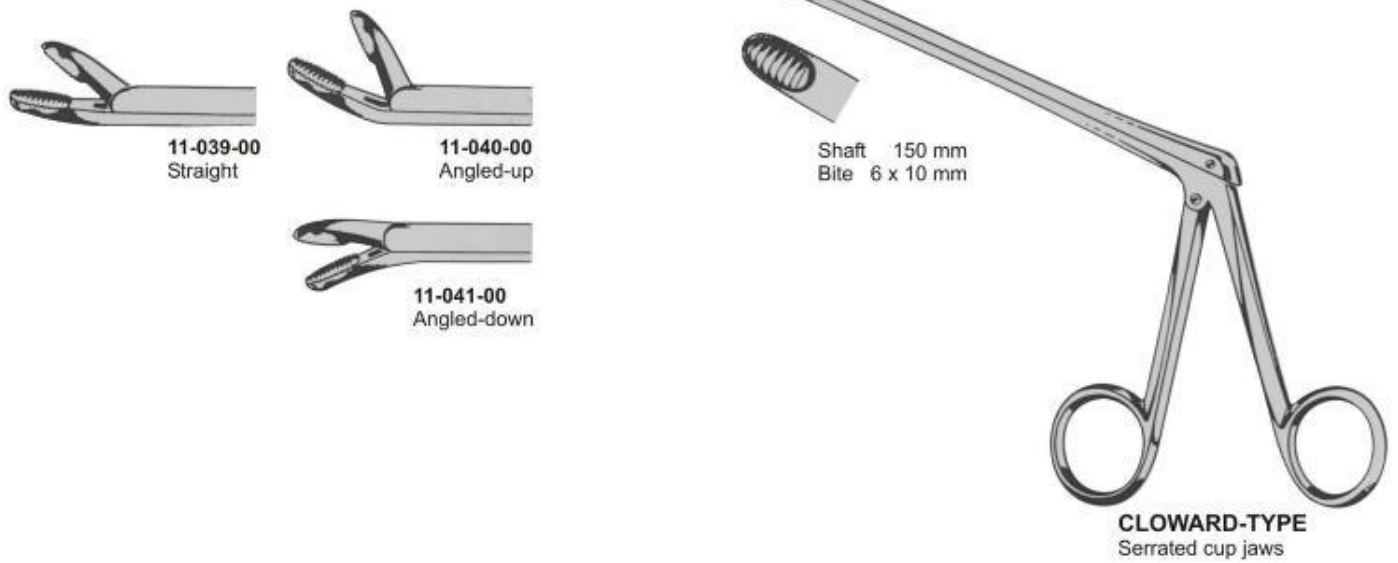
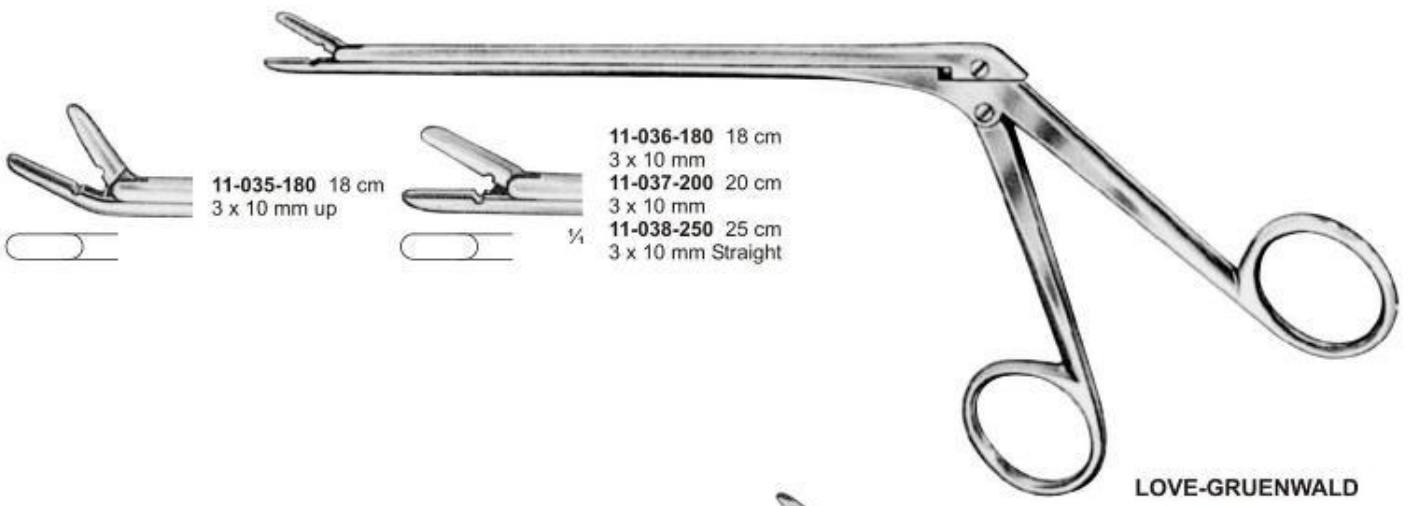
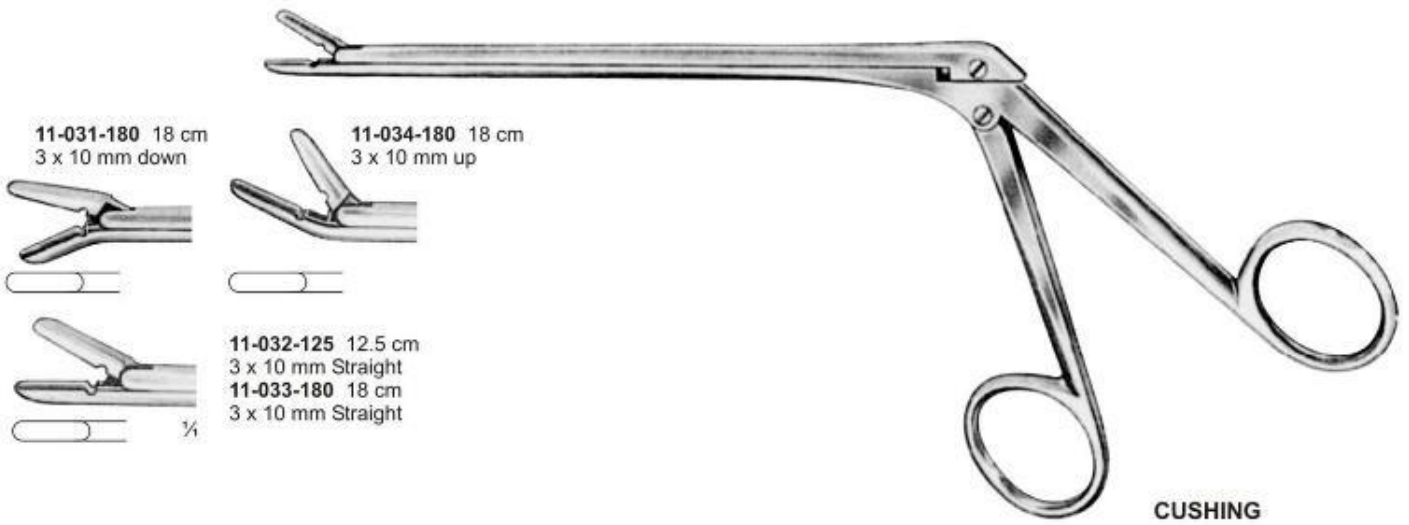


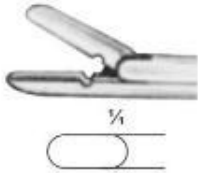
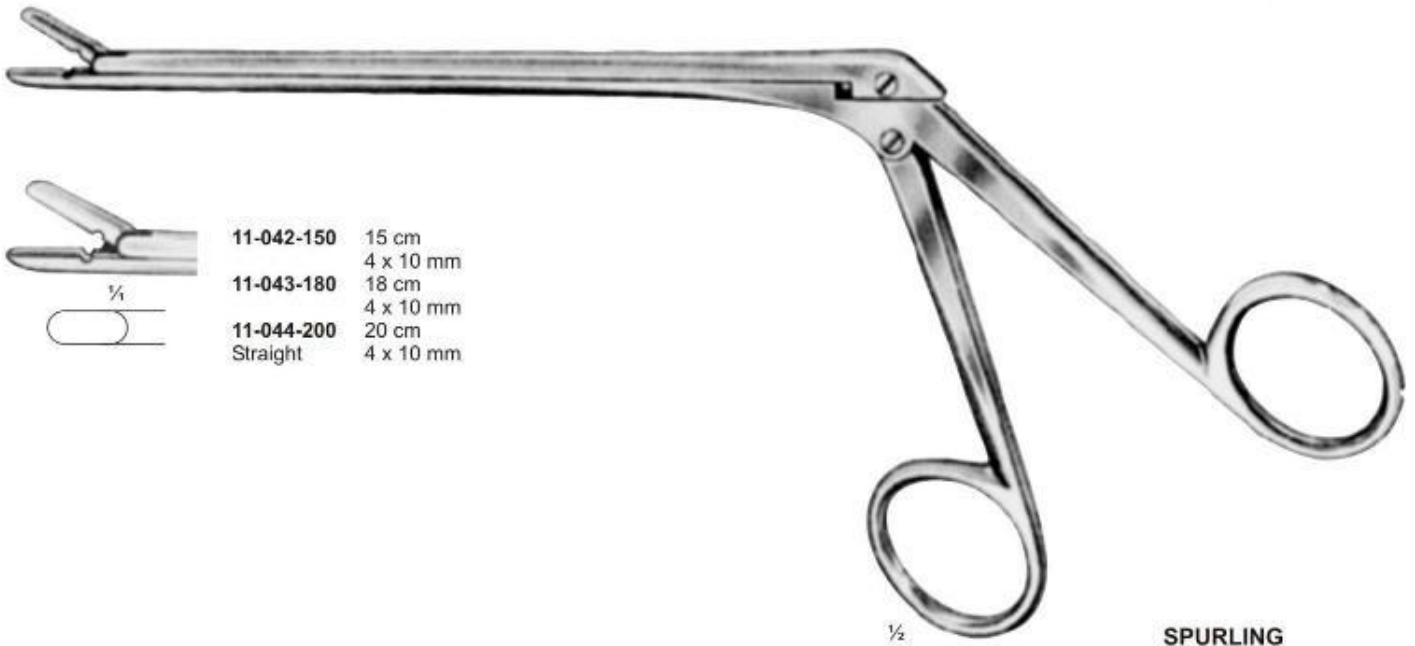
# SECTION - 11

## NEUROSURGERY





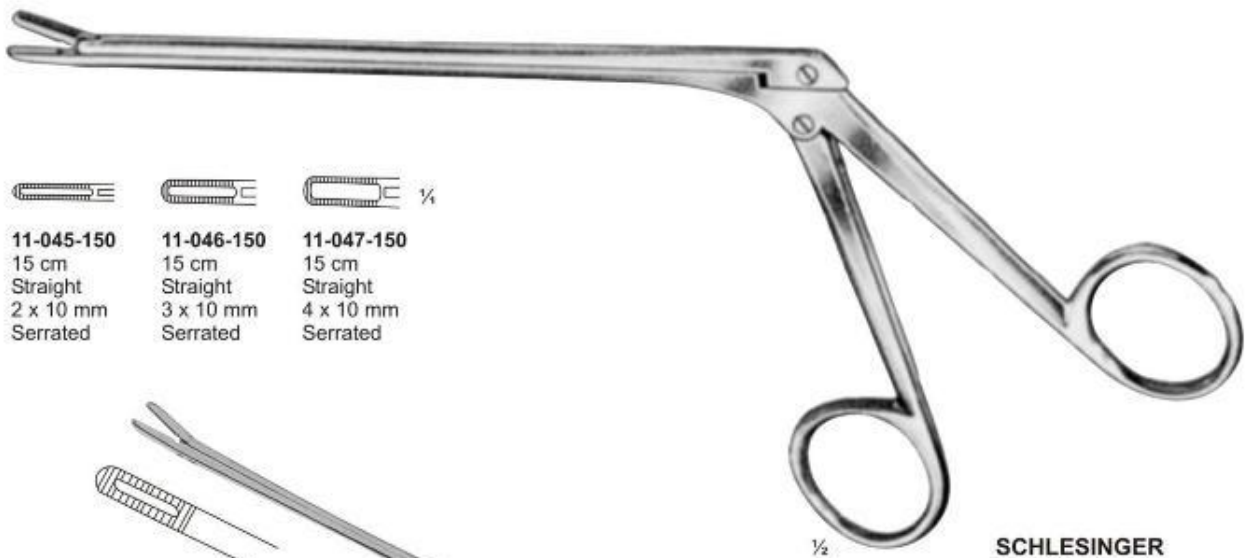
# NEUROSURGERY



- 11-042-150** 15 cm  
4 x 10 mm
- 11-043-180** 18 cm  
4 x 10 mm
- 11-044-200** 20 cm  
Straight 4 x 10 mm

1/2

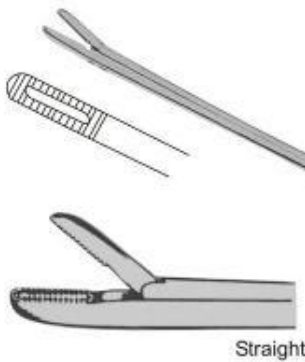
**SPURLING**



- 11-045-150** 15 cm  
Straight  
2 x 10 mm  
Serrated
- 11-046-150** 15 cm  
Straight  
3 x 10 mm  
Serrated
- 11-047-150** 15 cm  
Straight  
4 x 10 mm  
Serrated

1/2

**SCHLESINGER**



- | Shaft          | 130 mm           | 180 mm           |
|----------------|------------------|------------------|
| Bite 2 x 10 mm | <b>11-048-00</b> | <b>11-051-00</b> |
| Bite 3 x 10 mm | <b>11-049-00</b> | <b>11-052-00</b> |
| Bite 4 x 10 mm | <b>11-050-00</b> | <b>11-053-00</b> |

Straight



**SCHLESINGER**

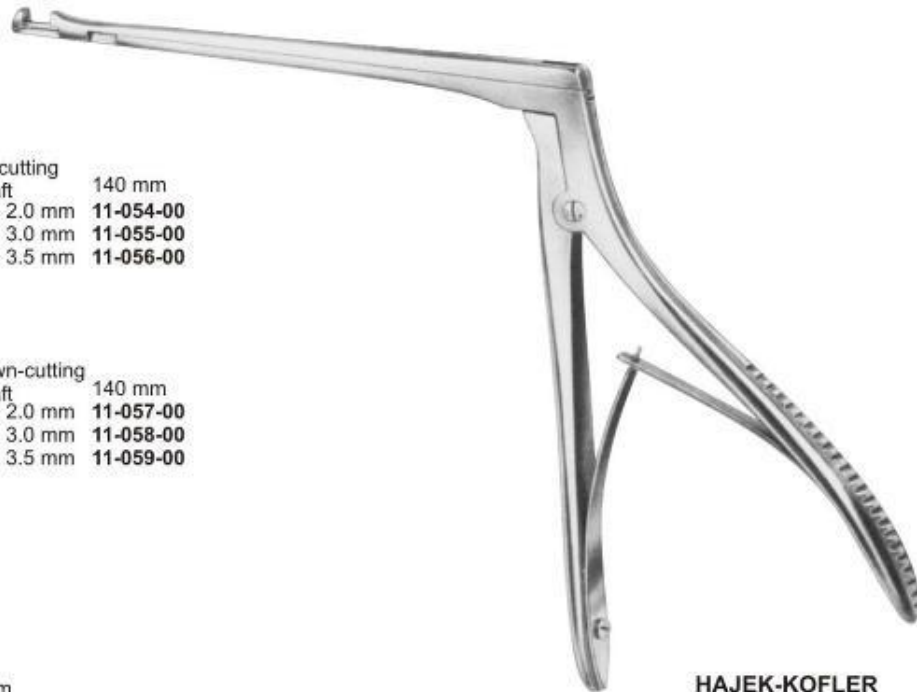
2.0 mm    3.0 mm    3.5 mm



90°  
Up-cutting  
Shaft 140 mm  
Bite 2.0 mm **11-054-00**  
Bite 3.0 mm **11-055-00**  
Bite 3.5 mm **11-056-00**

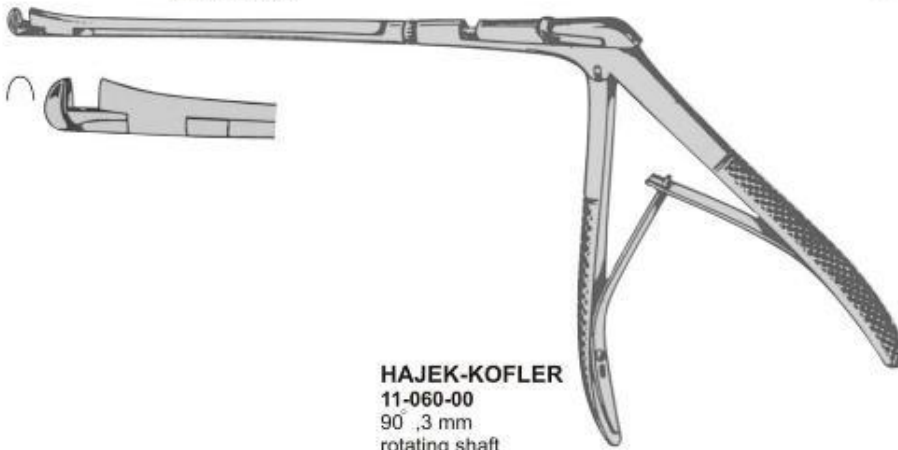


90°  
Down-cutting  
Shaft 140 mm  
Bite 2.0 mm **11-057-00**  
Bite 3.0 mm **11-058-00**  
Bite 3.5 mm **11-059-00**



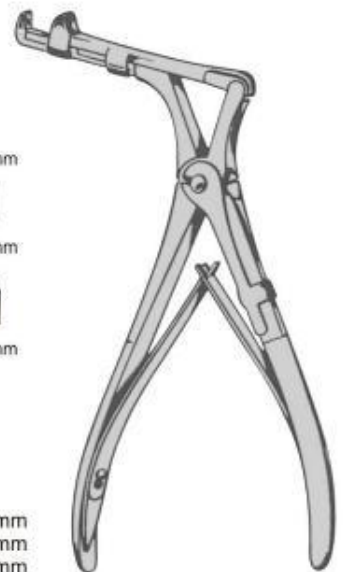
**HAJEK-KOFLER**

Shaft 140 mm



**HAJEK-KOFLER**  
**11-060-00**  
90°, 3 mm  
rotating shaft

1.0 mm  
2.5 mm  
4.0 mm



**CITELLI**  
**11-061-00** 1.0 mm  
**11-062-00** 2.5 mm  
**11-063-00** 4.0 mm



**LOVE-KERRISON  
LAMINECTOMY PUNCH**



Forward 90° Regular Footplate

	2 mm bite forward
<b>11-064-00</b>	150 mm
<b>11-065-00</b>	200 mm

	3 mm bite forward
<b>11-066-00</b>	150 mm
<b>11-067-00</b>	200 mm

	4 mm bite forward
<b>11-068-00</b>	150 mm
<b>11-069-00</b>	200 mm

	5 mm bite forward
<b>11-070-00</b>	150 mm
<b>11-071-00</b>	200 mm

	6 mm bite forward
<b>11-072-00</b>	150 mm
<b>11-073-00</b>	200 mm



Up 40° Regular footplate

	2 mm bite up
<b>11-074-00</b>	150 mm
<b>11-075-00</b>	200 mm

	3 mm bite up
<b>11-076-00</b>	150 mm
<b>11-077-00</b>	200 mm

	4 mm bite up
<b>11-078-00</b>	150 mm
<b>11-079-00</b>	200 mm

	5 mm bite up
<b>11-080-00</b>	150 mm
<b>11-081-00</b>	200 mm

	6 mm bite up
<b>11-082-00</b>	200 mm



Down 90° Regular footplate

	3 mm bite down
<b>11-083-00</b>	150 mm
<b>11-084-00</b>	200 mm

	4 mm bite down
<b>11-085-00</b>	150 mm
<b>11-086-00</b>	200 mm

	5 mm bite down
<b>11-087-00</b>	150 mm
<b>11-088-00</b>	200 mm



**THIN FOOTPLATE  
KERRISON PUNCH**



Forward 90° Thin footplate

□	1 mm bite forward	
	<b>11-089-00</b>	150 mm
	<b>11-090-00</b>	180 mm
	<b>11-091-00</b>	200 mm

□	2 mm bite forward	
	<b>11-092-00</b>	150 mm
	<b>11-093-00</b>	180 mm
	<b>11-094-00</b>	200 mm

□	3 mm bite forward	
	<b>11-095-00</b>	150 mm
	<b>11-096-00</b>	180 mm
	<b>11-097-00</b>	200 mm

□	4 mm bite forward	
	<b>11-098-00</b>	150 mm
	<b>11-099-00</b>	180 mm
	<b>11-100-00</b>	200 mm

□	5 mm bite forward	
	<b>11-101-00</b>	150 mm
	<b>11-102-00</b>	180 mm
	<b>11-103-00</b>	200 mm



Up 40° Thin footplate

□	1 mm bite up	
	<b>11-104-00</b>	180 mm

□	2 mm bite up	
	<b>11-105-00</b>	180 mm

□	3 mm bite up	
	<b>11-106-00</b>	180 mm

□	4 mm bite up	
	<b>11-107-00</b>	180 mm

□	5 mm bite up	
	<b>11-108-00</b>	180 mm



Down 90° Thin footplate

□	1 mm bite down	
	<b>11-109-00</b>	180 mm

□	2 mm bite down	
	<b>11-110-00</b>	180 mm

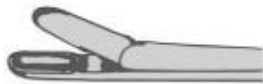
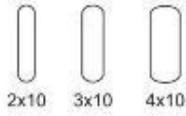
□	3 mm bite down	
	<b>11-111-00</b>	180 mm

□	4 mm bite down	
	<b>11-112-00</b>	180 mm

□	5 mm bite down	
	<b>11-113-00</b>	180 mm



# NEUROSURGERY



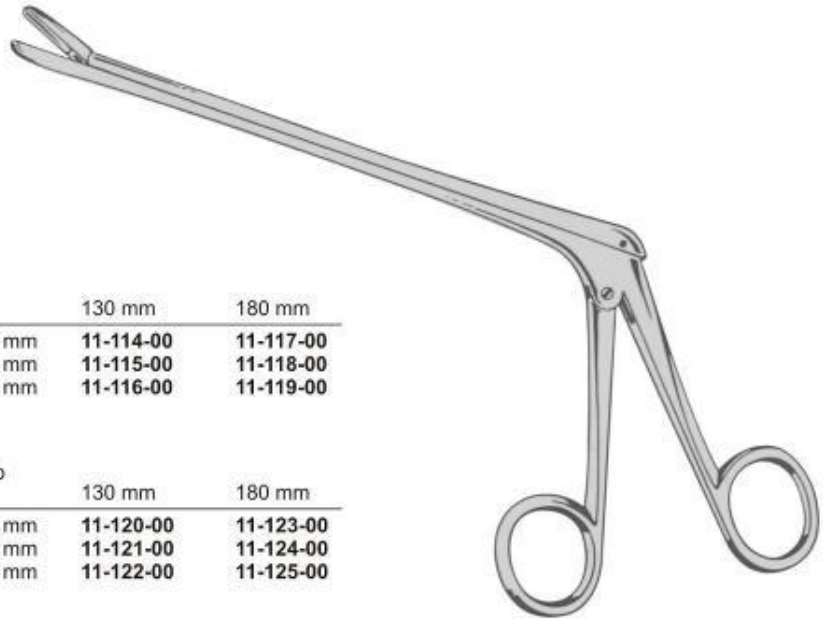
Straight Shaft	130 mm	180 mm
Bite 2 x 10 mm	<b>11-114-00</b>	<b>11-117-00</b>
Bite 3 x 10 mm	<b>11-115-00</b>	<b>11-118-00</b>
Bite 4 x 10 mm	<b>11-116-00</b>	<b>11-119-00</b>



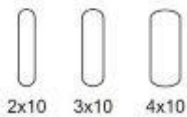
Angled - up Shaft	130 mm	180 mm
Bite 2 x 10 mm	<b>11-120-00</b>	<b>11-123-00</b>
Bite 3 x 10 mm	<b>11-121-00</b>	<b>11-124-00</b>
Bite 4 x 10 mm	<b>11-122-00</b>	<b>11-125-00</b>



Angled - down Shaft	130 mm	180 mm
Bite 2 x 10 mm	<b>11-126-00</b>	<b>11-129-00</b>
Bite 3 x 10 mm	<b>11-127-00</b>	<b>11-130-00</b>
Bite 4 x 10 mm	<b>11-128-00</b>	<b>11-131-00</b>



**CUSHING  
LOVE - GRUENWALD  
SPURLING**



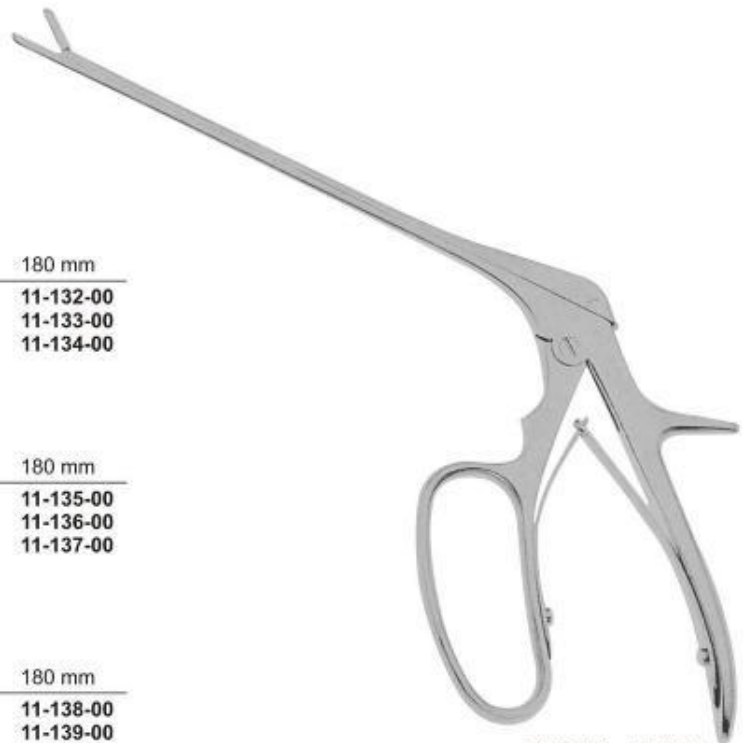
Straight Shaft	180 mm
Bite 2 x 10 mm	<b>11-132-00</b>
Bite 3 x 10 mm	<b>11-133-00</b>
Bite 4 x 10 mm	<b>11-134-00</b>



Angled - up Shaft	180 mm
Bite 2 x 10 mm	<b>11-135-00</b>
Bite 3 x 10 mm	<b>11-136-00</b>
Bite 4 x 10 mm	<b>11-137-00</b>



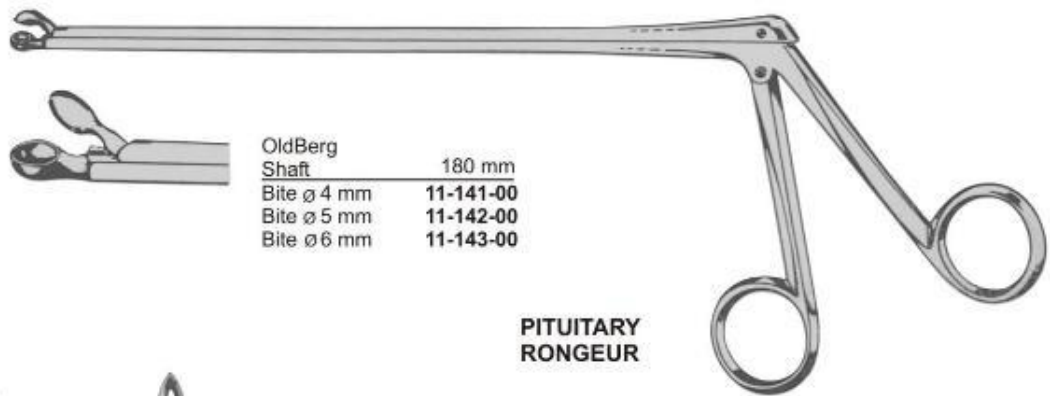
Angled - down Shaft	180 mm
Bite 2 x 10 mm	<b>11-138-00</b>
Bite 3 x 10 mm	<b>11-139-00</b>
Bite 4 x 10 mm	<b>11-140-00</b>



**FERRIS - SMITH**

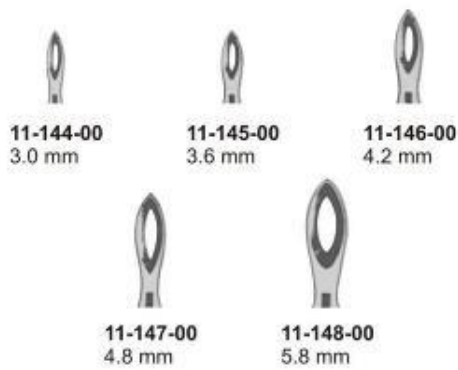
# NEUROSURGERY

 4 mm   
  5 mm   
  6 mm



**OldBerg**  
 Shaft 180 mm  
 Bite  $\varnothing$  4 mm **11-141-00**  
 Bite  $\varnothing$  5 mm **11-142-00**  
 Bite  $\varnothing$  6 mm **11-143-00**

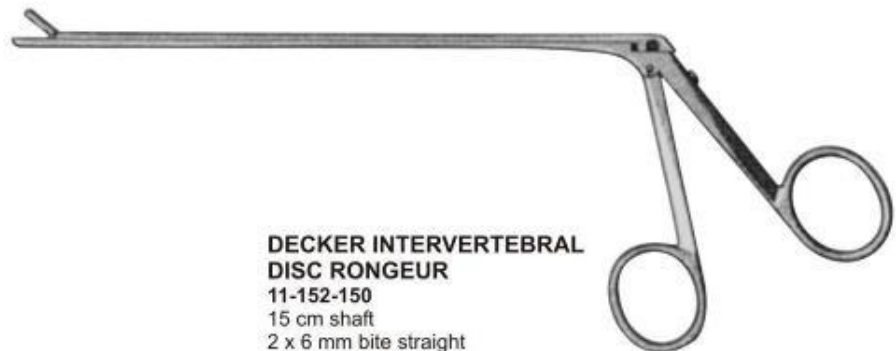
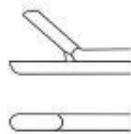
**PITUITARY RONGEUR**



**WEIL - BLAKESLEY**



**WILDE INTERVERTEBRAL DISC RONGEUR**  
 12.5 cm shaft  
 fenestrated jaws straight



**DECKER INTERVERTEBRAL DISC RONGEUR**  
**11-152-150**  
 15 cm shaft  
 2 x 6 mm bite straight





Working length 14 mm

**MICRO GRASPING  
FORCEPS**  
11-153-00  
serrated, straight



**MICRO ALLIGATOR  
SCISSORS**  
11-154-00  
straight



**11-155-00**  
Ø1.0 mm  
Straight



**11-156-00**  
Ø2.0 mm  
Straight



**11-157-00**  
Ø3.0 mm  
Straight



**MIRCO CUP  
FORCEPS**



**11-158-00**  
Ø1.0 mm  
angled up



**11-159-00**  
Ø2.0 mm  
curved to right



**11-160-00**  
Ø3.0 mm  
curved to left



**11-161-180**  
Grasping Forceps  
Ø 3 mm



**11-162-180**  
Cup Forceps  
Ø 2 mm



**11-163-180**  
Alligator Scissors  
Ø 2 mm



**MICRO ALLIGATOR  
FORCEPS**  
with tubular shaft 18 cm

# NEUROSURGERY



**SCOVILLE**  
11-164-300  
30 cm  
Nerve Hook and  
Dissector



**SCOVILLE**  
11-165-300  
30 cm  
Nerve Hook and  
Dissector



**SCOVILLE**  
11-166-300  
30 cm  
Sympathectomy Hook  
and Dissector



**11-167-190**  
Davis  
4 mm, 19 cm



**11-168-200**  
Sachs  
3 mm, 20 cm



**11-169-200**  
Sachs  
6 mm, 20 cm

**NERVE SEPARATOR & SPATULA**



**FRAZIER**  
11-170-125  
12.5 cm



**11-171-190**  
Small



**11-172-190**  
large

**GILLIES**  
19 cm



**11-173-130**  
Straight  
13 cm



**LAHEY CLINIC**  
11-174-130  
13 cm



**SACHS**  
11-175-185  
18.5 cm



**11-176-160**  
16 cm



**TOENNIS**  
11-177-150  
15 cm



**DURA  
TWIST HOOK**  
11-178-140 14 cm



1/2

**RANEY**  
11-179-160  
16 cm



1/4

**RANEY**  
11-180-00



1/2

**11-181-180**  
18 cm  
Straight



1/2

**11-182-200**  
20 cm  
Straight

Penfield



1/2

**11-183-200**  
20 cm  
Straight



1/2

**11-184-220**  
22 cm  
Straight



1/2

**ADSON**  
11-185-150  
15 cm  
Drill Guide and  
Dura Protector



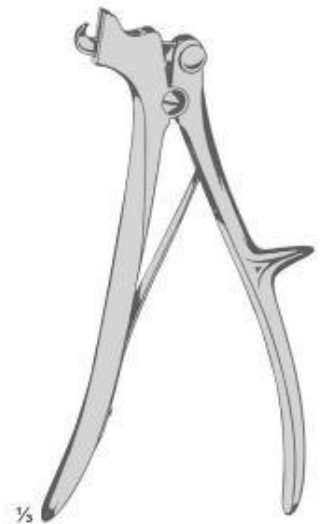
1/4

**CONE**  
11-186-00 20 cm  
11-187-00 23 cm  
Skull Punch



1/4

**DAHLGREN**  
11-188-200  
20 cm  
Complete with 2 Blades

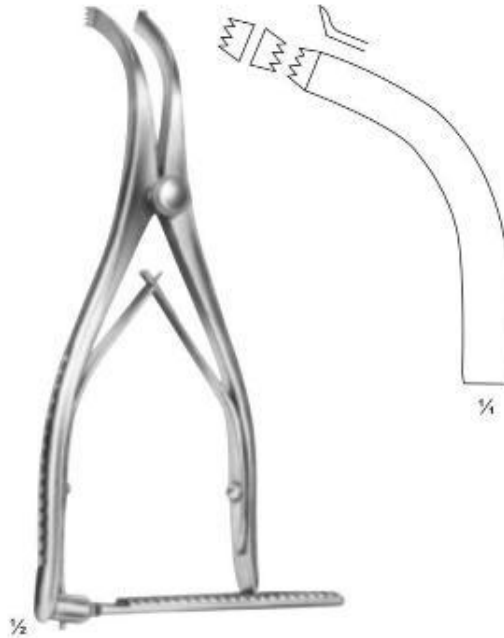


1/4

**DEVIBISS**  
11-189-210  
21 cm  
complete with 1 small and  
1 large blade



**INGE**  
11-190-160  
16 cm  
Small pattern



**INGE**  
11-191-170  
17 cm



**INGE**, 26 cm  
11-192-260 Jaw width 5 mm  
11-193-260 Jaw width 10 mm  
large pattern



**CLOWARD**  
11-194-130  
13 cm



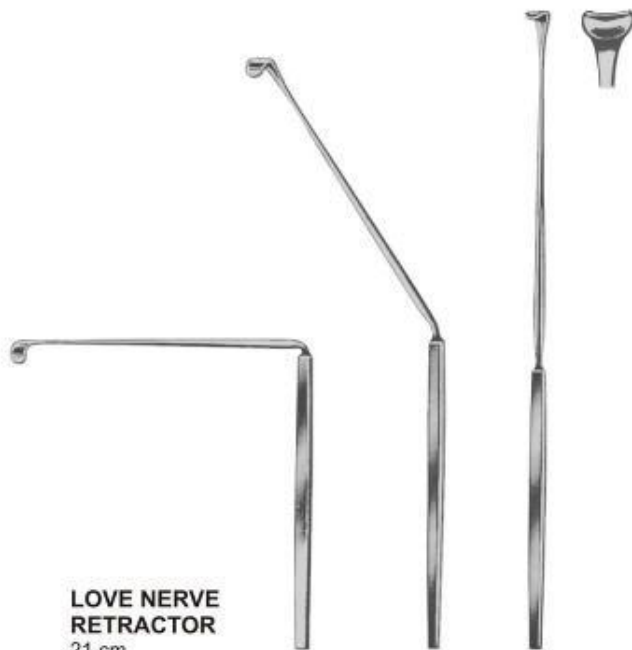
**LUMBAR LAMINA SPREADER**  
11-195-00  
arm length: 87.5 mm  
spread: 37.5 mm



**CLOWARD**  
11-196-160  
16 cm



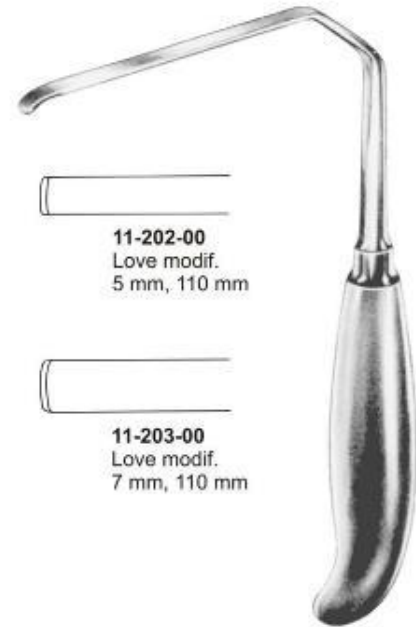
**11-197-140**  
14 cm



**LOVE NERVE RETRACTOR**

21 cm  
7 mm width x 5 mm depth

- 11-198-210 Straight blade
- 11-199-210 blade angled 45° degrees
- 11-200-210 blade angled 90° degrees



11-202-00  
Love modif.  
5 mm, 110 mm

11-203-00  
Love modif.  
7 mm, 110 mm

**LOVE MODIF.**  
11-201-00  
4 mm, 100 mm



**HOLSHER NERVE RETRACTOR**

11-204-230 23 cm angled 7 mm blade  
11-205-230 9 mm blade

**NERVE ROOT RETRACTOR**

11-206-00 6 mm blade  
11-207-00 9 mm blade  
Offset 225 mm

**SCOVILLE NERVE ROOT RETRACTOR**

11-208-230 8 mm blade  
11-209-230 13 mm blade  
23 cm angled